

marantz®

Model WB6000 User Guide

61" Plasma Wall Mount

INTRODUCTION

INTRODUCTION

Thank you for purchasing the **MARANTZ WB6000 Plasma Display Mounting System**. This system has been specially designed using high quality steel for stability and ease of installation.

For your safety, and for the protection of your plasma screen, we recommend that you have your equipment and the Marantz Mounting System professionally installed. However, if you decide to install the system yourself, we recommend you read this guide thoroughly beforehand, making sure that you are familiar with the proper use, installation and safety precautions contained herein before proceeding with the installation.

Please retain this guide for future reference.

Marantz will not be responsible for any damage or injury resulting from improper installation of this product.

TECHNICAL FEATURES

TECH. FEATURES

- > Heavy-duty 12 gauge steel construction
- > Special powder-coated finish for durability
- > Unique single-piece mounting bracket for easy installation
- > 1" (2.54 cm) depth for "close-to-wall" mounting
- > Up to 15 degree Tilt-Mount Option available
- > Long mounting slots to allow for centering when mounting on 16" (40.64 cm) studs
- > Allows for up to 7 inches of lateral shift for centering
- > Dimensions: 35.5" W x 22.5" H x 1"D
90.17W x 57.15H x 2.54D (cm)

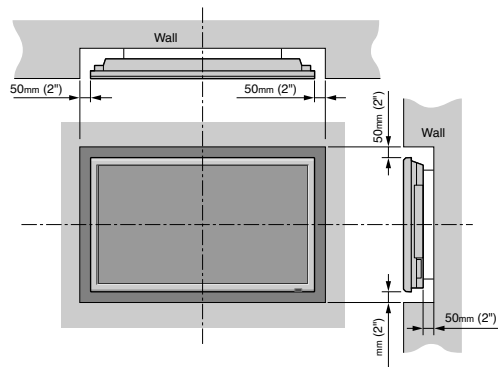
Hardware

- 1 pc - Wall Mount
- 6 pcs - M8 x 20mm Screws
- 6 pcs - 8mm Flat Washers
- 6 pcs - 8mm Spacers
- 4 pcs - 5/16" Lag Bolts
- 4 pcs - 5/16" Washers

PRECAUTIONS

PRECAUTIONS

- Always unplug the Plasma Display before attaching it to the **Marantz Plasma Wall Mount**.
- The Marantz Plasma Wall Mount is intended for mounting on flat surfaces such as walls with wood studs, reinforced metal studs or solid-flat concrete. Always use the appropriate hardware in sufficient quantities for each mounting surface. Marantz will not assume any responsibility for damage resulting from the use of improper mounting hardware.
- The intended flat surface should be capable of supporting a weight of 4 times the weight of the Plasma Display plus the weight of the mount (25 lbs.) and the associated equipment. Reinforcement may be necessary to ensure this capability. If you are in doubt, consult your with your Marantz Authorized Dealer or a professional home theatre installation specialist.
- Have the help of two people or more when you attempt to mount the Plasma to the already-mounted Marantz Plasma Mount Hardware. Plasma Displays are heavy and difficult to handle for one person.
- **DO NOT** subject the unit or supporting structure to shock, vibration, movement or danger of impact which could result in damage to your Plasma Display or personal injury.
- **DO NOT** mount in direct sunlight, or near a heater, fireplace or air conditioner which could result in damage to your Plasma Display or increase the risk of fire.
- **Ventilation is Required.** To allow heat to disperse, leave space between surrounding objects as shown on the diagram at right when installing.

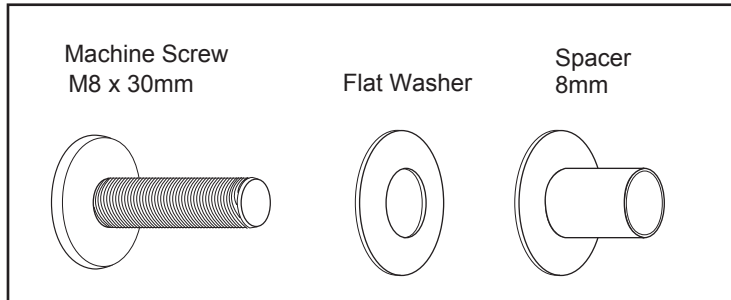


CAUTION! Failure to adhere to the precautions listed above may result in damage to your Plasma Display or injury to your person.

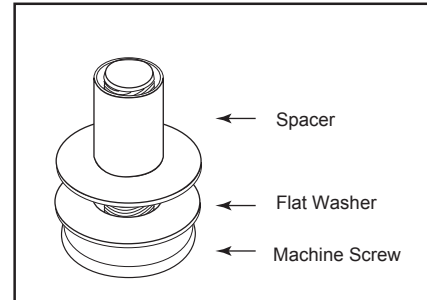
MOUNTING HARDWARE

INSTALLATION

Mounting Hardware



Screw Assembly



PREPARING FOR INSTALLATION

The Marantz Plasma Wall Mount is designed for mounting on a flat surface. The mounting 'slots' will give you 7 inches (17.78 cm) of lateral shift movement so that the mount can be more easily centered on the wall.

The Marantz Plasma Wall Mount provides a Screw Kit for your Plasma Display. Lay your Plasma Display face down on a soft flat surface, such as carpeting, and screw the 'Screw Assembly' (provided) into the mounting holes in the back of the Plasma Display.

MOUNTING THE PLASMA MOUNT SYSTEM

Locate the wall studs nearest your mounting location and drill pilot holes (at least four) for 5/16" (0.794 cm) Lag Bolts with washers for studded walls, or appropriate anchors for your mounting surface. Marantz assumes no responsibility for improper use of mounting hardware. Use the Marantz Plasma Wall Mount for a template for vertical spacing if you prefer.

Mount the Marantz Plasma Wall Mount to the wall surface, using mounting slots provided, ensuring that the mount is level.

Adjust the lateral shift of the mount for centering on the wall. Sliding the mount horizontally along the mounting slots provides up to 7 inches of lateral shift.

Once the Marantz Plasma Wall Mount is centered, tighten down the mounting bolts. Now you are ready to install the Plasma Display onto the Wall Mount. Have one or more persons on each side of the Plasma Display and lift it into a vertical position so that you can see the mounting screws in the back of the display and see the mounting key holes on the Plasma Wall Mount. Gently lower the screws into the 45° (degree) key holes and down to the left 1/2".

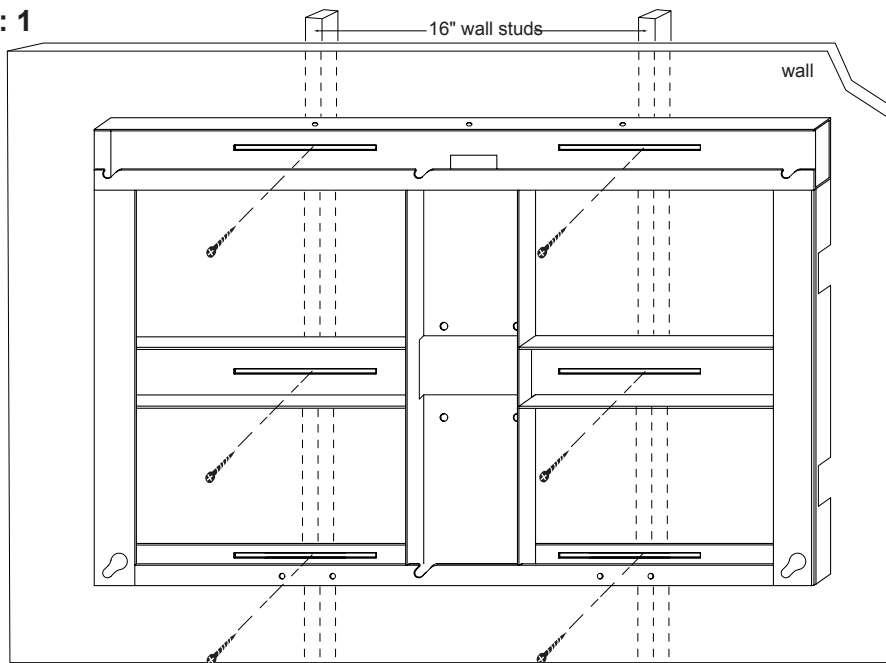
INSTALLATION

INSTALLATION

MOUNTING THE PLASMA WALL MOUNT

MOUNTING FOR HORIZONTAL *PLASMA* POSITION

Figure: 1



OPTIONS

OPTIONS

- > **Tilt-Mount Option:** Please refer the **TK6540 User Guide**
- > **Table-Top Stand Option:** Please refer the **PL6540 User Guide**

marantz

110 Maplewood Drive
Itasca, IL 60143

Phone: 630 741-0300 Fax: 630 741-0301
You can find your nearest authorized distributor or dealer
on our website at: www.marantz.com